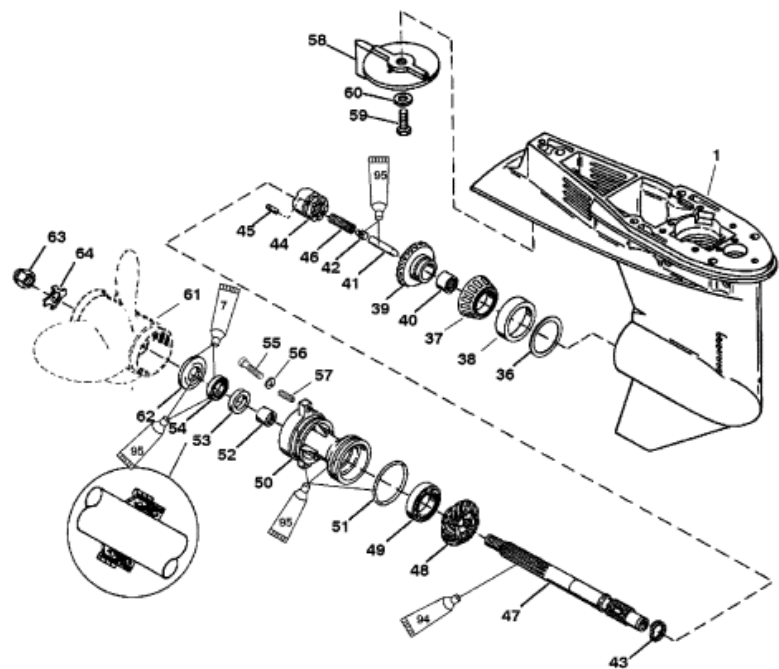


**3.44 IN./135MM
 TORPEDO DIA.**



- Loctite "271" Adhesive Sealant (92-809819)
- Anti-Corrosion Grease (92-78376A6)
- 2-4-C w/Teflon (92-825407A12)

Parts List						
Ref	Class	Part	Description	Qty	Comment	Footnote
-	1671	9760A23	GEAR HOUSING	1	(BLACK) SHORT	
-	1671	9760A24	GEAR HOUSING	1	(GRAY) SHORT	
-	1671	9760A25	GEAR HOUSING	1	(BLACK) LONG	
-	1671	9760A26	GEAR HOUSING	1	(GRAY) LONG	
-	1671	9760A28	GEAR HOUSING	1	(BLACK) X-LONG	
-	1671	9760A29	GEAR HOUSING	1	(GRAY) X-LONG	
1	1671	9760A30	GEAR HOUSING	1	(BLACK)	
1	1671	9760A31	GEAR HOUSING	1	(GRAY)	
36	15	812769A	1 SHIM SET	AR		10
37	31	812767A	1 TAPERED ROLLER BEARING	1		
38		NSS	1 CUP	1		7
39	43	813693A	1 FORWARD GEAR (23 TEETH)	1		
40	31	21739	1 ROLLER BEARING	1		
41		812929	1 CAM FOLLOWER	1		
42		20843	1 SLIDE	1		
43	24	38114	1 SPRING	1		
44	52	813697	1 CLUTCH	1		
45	17	38113	1 CROSS PIN	1		
46	24	815418	1 SPRING	1		
47	44	14493	1 PROPELLER SHAFT	1		
48	43	813695	1 REVERSE GEAR (23 TEETH)	1		
49	30	20839	1 BALL BEARING	1		
50		19291A	3 BEARING CARRIER ASSEMBLY	1		
51	25	815460	1 O-RING	1		5,9
52	31	21700	1 ROLLER BEARING	1		
53	26	69188	1 OIL SEAL	1		9
54	26	69189	1 OIL SEAL	1		9
55	10	40003	53 SCREW (M8 X 25)	2		
55	10	855940	30 SCREW (M8 X 25)	2	(USE W/THREADED INSERT)	
56	12	70132	2 WASHER	2		
56	12	855941	2 WASHER	2	(USE W/THREADED INSERT)	
57		822773	1 THREADED INSERT	2		
58		17264T	2 TRIM TAB	1		
59	10	40003	77 SCREW	1		
60	12	45175	1 WASHER	1		
61	48	816704A40	1 PROPELLER KIT	1	(55 BEACHING)	
62		73345A	1 THRUST HUB	1		
63	11	69578A	1 PROPELLER NUT	1		
64	14	76281	1 TAB WASHER	1		
-	27	812867A97	1 GASKET SET	1		
-	26	814669A	2 SEAL KIT, GEAR HOUSING	1		